

## Features

- Conductive plastic
- Linear and audio tapers
- PC board and bushing mount
- Plastic bushing and plastic shaft
- Withstands typical industrial washing processes

- Compact package saves board and panel space

# 3310 - 9mm Square Sealed Panel Control

## Electrical Characteristics

Standard Resistance Range - Linear .....	1K ohms to 1 megohm
Total Resistance Tolerance - Linear Tapers .....	±20%
Independent Linearity .....	±5%
Absolute Minimum Resistance .....	2 ohms maximum
Effective Electrical Angle .....	270° ±15°
Contact Resistance Variation .....	1% or 1 ohm (whichever is greater)
Dielectric Withstanding Voltage	
Sea Level .....	900 VAC minimum
70,000 Feet .....	350 VAC minimum
Insulation Resistance .....	1,000 megohms minimum
Power Rating @ 70°C (Derate to 0 at 125°C - Voltage Limited By Power Dissipation or 200 VAC, Whichever is Less) .....	0.25 watts

## Environmental Characteristics

Operating Temperature .....	+1°C to +125°C
Storage Temperature .....	-55°C to +125°C
TCR (Over Storage Temperature Range) .....	±1,000ppm/°C
Vibration .....	30G
Total Resistance Shift .....	±1% maximum
Voltage Ratio Shift .....	±1% maximum
Shock .....	100G
Total Resistance Shift .....	±1% maximum
Voltage Ratio Shift .....	±1% maximum
Load Life (1,000 Hours) .....	±10% TRS maximum
Rotational Life-No Load (50,000 Cycles) .....	±5% TRS maximum
CRV .....	±3% or 3 ohms (whichever is greater)
Moisture Resistance .....	±10% TRS

## Mechanical Characteristics

Stop Strength .....	5.65 Ncm
Mechanical Angle .....	300° nominal
Torque - Running .....	3.53 Ncm
Weight .....	4.5 grams
Flammability .....	Conforms to UL94V-0
Terminals .....	Solderable pins
Marking .....	Manufacturer's symbol and model number, product code, terminal style, date code and resistance code

## Standard Resistance Table

Resistance (Ohms)	Resistance Code
<b>1,000</b>	<b>102</b>
<b>2,000</b>	<b>202</b>
<b>5,000</b>	<b>502</b>
<b>10,000</b>	<b>103</b>
<b>20,000</b>	<b>203</b>
50,000	503
100,000	104
200,000	204
500,000	504
1,000,000	105

Popular values listed in boldface. Consult factory for special resistances.

## Part Numbering System

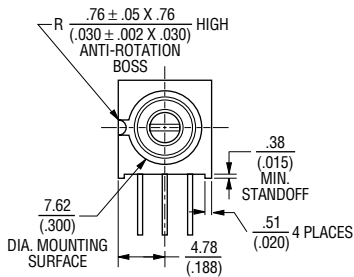
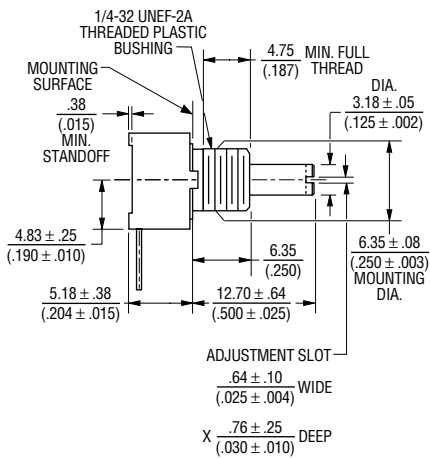
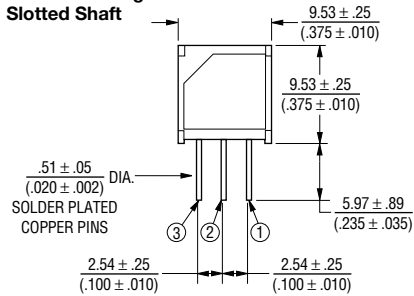
Model Number Designator	<b>3310</b>	<b>Y</b>	<b>-</b>	<b>0</b>	<b>0</b>	<b>1</b>	<b>-</b>	<b>103</b>
3310 = 9mm Panel Control								
Terminal Style Designator								
Single Cup:								
C = In-line Straight Terminals Side Exit 2.54 mm centers								
R = In-line Terminals Rear Exit 2.54 mm centers								
P = 5.08mm x 2.54mm Triangular Pattern Rear Exit								
Y = 5.08mm x 5.08mm Triangular Pattern Rear Exit								
Dual Cup (Pot/Pot or Pot/Switch):								
H = Dual In-line Straight Terminals Rear Exit 2.54 mm centers								
Shaft End Designator								
0 = Shaft End Slotted								
1 = Shaft End Flatted								
Shaft Length Designator								
0 = 12.7mm FMS Long Plastic Shaft (Available w/bushing only)								
1 = 19.05mm FMS Long Plastic Shaft (Available w/bushing only)								
2 = 5.99mm FMS Long Plastic Shaft (Bushingless version only)								
Bushing Designator								
Pot (or Pot/Pot):								
1 = 6.35mm x 6.35mm Plastic								
2 = 6.35mm x 6.35mm Ni Plated Brass								
5 = Bushingless (Board Level Control)								
Pot/Switch Bushing Designator (use with "H" terminal style only.)								
3 = 6.35mm x 6.35mm Plastic								
4 = 6.35mm x 6.35mm Ni Plated Brass								
6 = Bushingless (Board Level)								
Resistance Code								
(1st 2 digits are significant, 3rd digit is number of 0s to follow)								

# 3310 - Dimensions and Tolerances

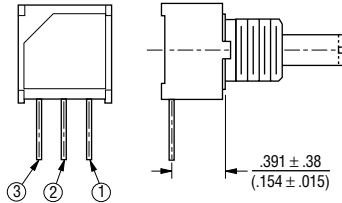
**BOURNS®**

## COMMON DIMENSIONS 3310-001

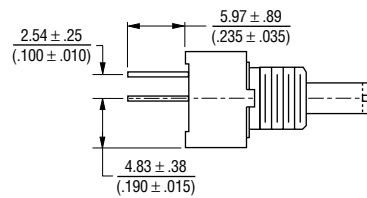
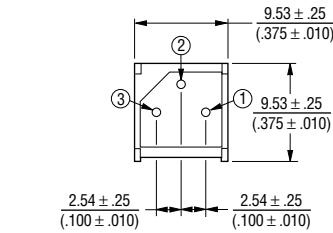
Plastic Bushing  
Slotted Shaft



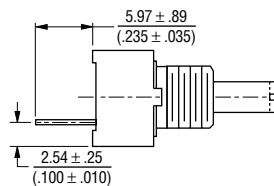
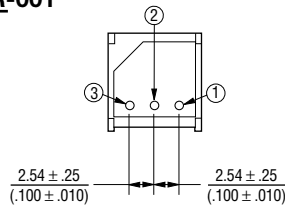
## 3310C-001



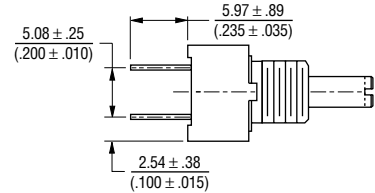
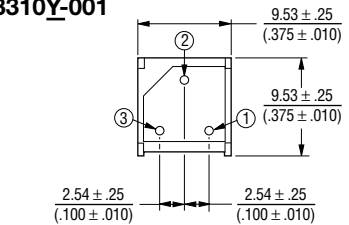
## 3310P-001



## 3310R-001

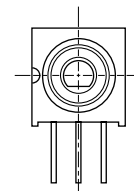
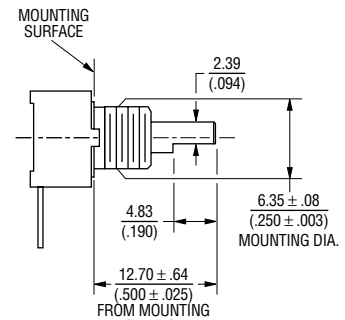


## 3310Y-001



## COMMON DIMENSIONS 3310-101

Plastic Flatted Shaft

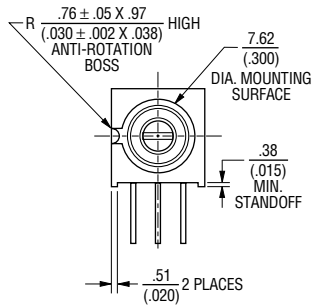
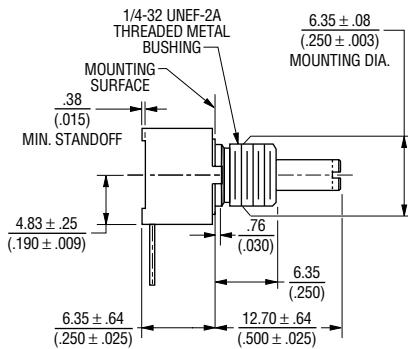


DIMENSIONS ARE:  $\frac{\text{MM}}{\text{(INCHES)}}$

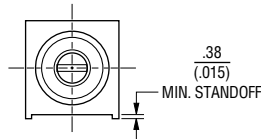
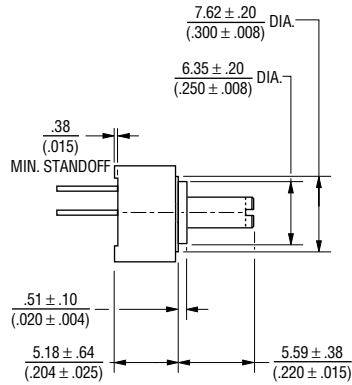
# 3310 - Dimensions and Tolerances



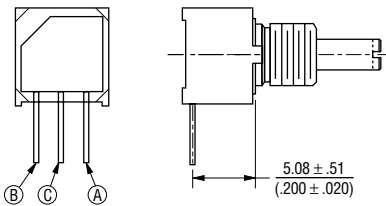
## COMMON DIMENSIONS 3310-002 Metal Bushing



## 3310P-025 \* Bushingless



## 3310C-002



DIMENSIONS ARE:  $\frac{\text{MM}}{\text{(INCHES)}}$

NOTE: \* Only recommended shaft length  
for bushingless version

Specifications are subject to change without notice.

