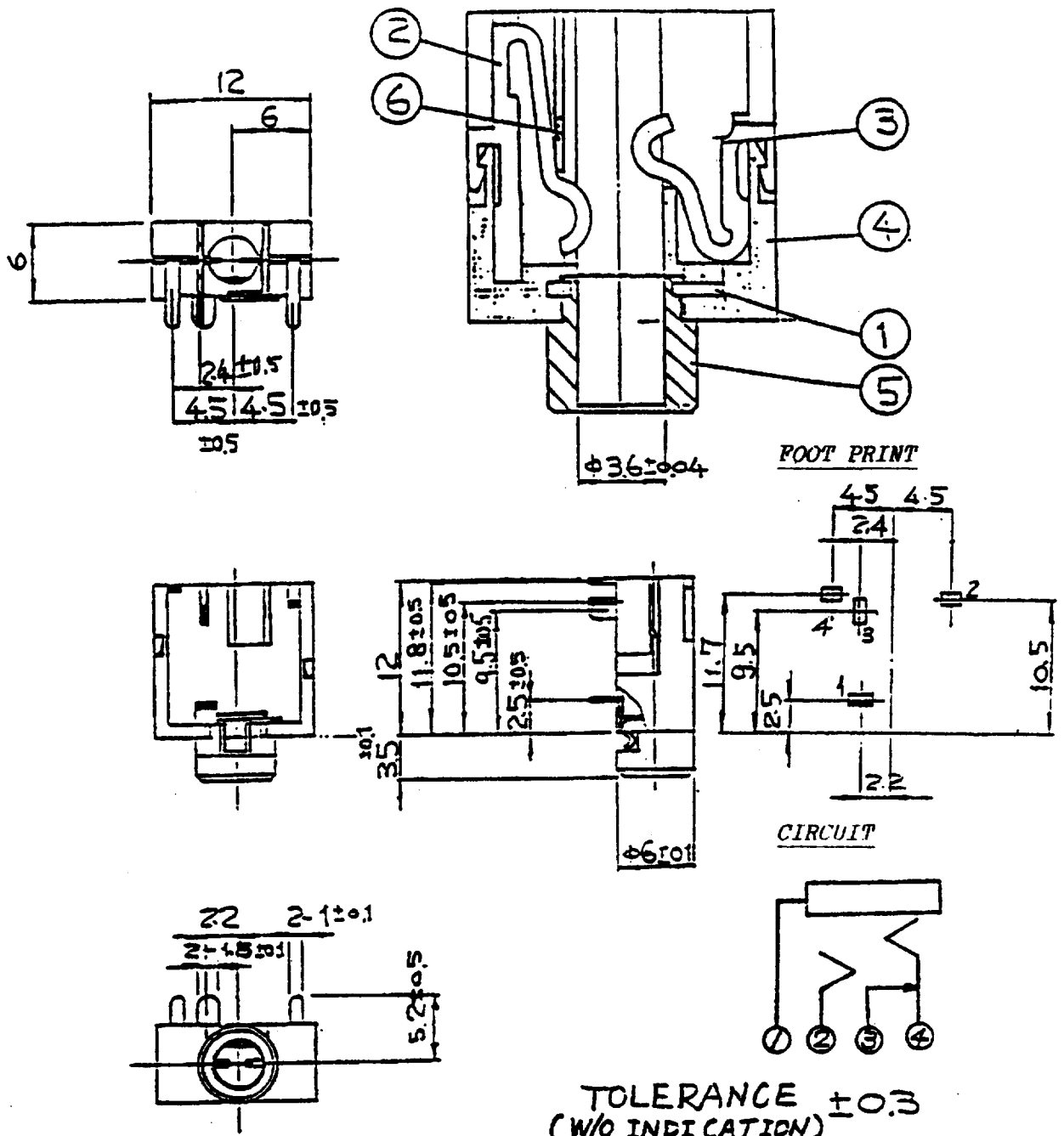


NOTE:

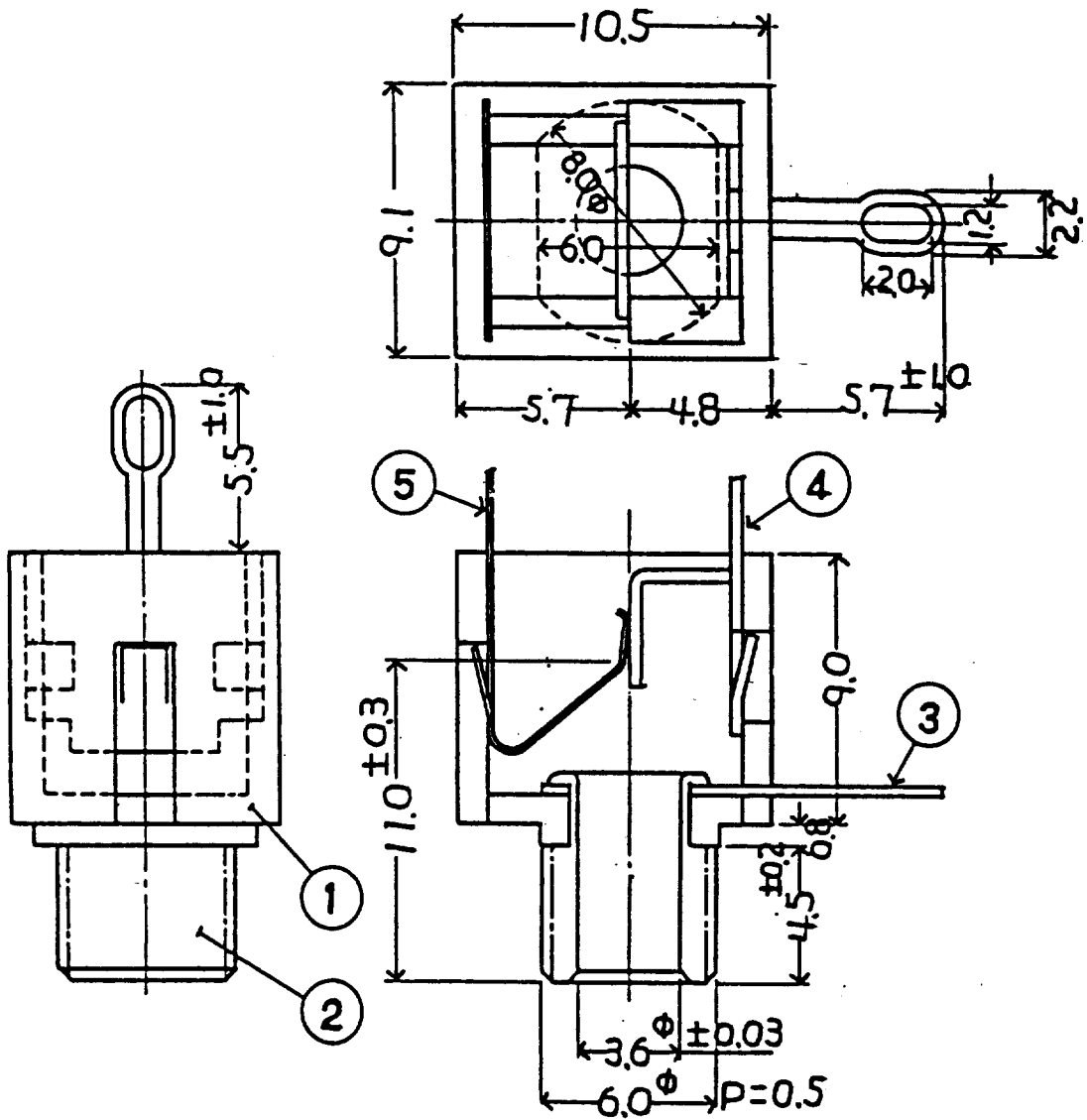
Contact Resistance - 30 milidhm Max.
 Insulation Resistance - 50 Megohm @100VDC.
 Breakdown Voltage - 250 AC for one minute.



TOLERANCE ± 0.3
 (W/O INDICATION)

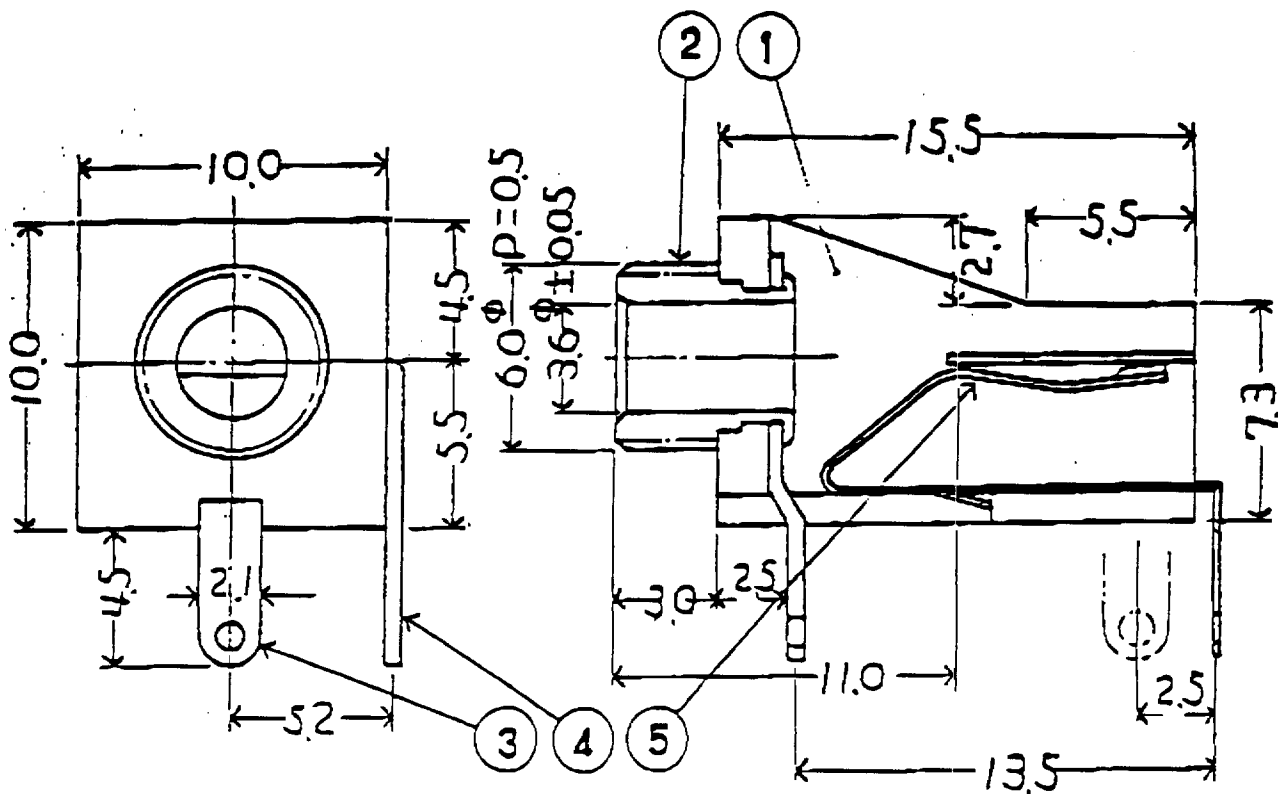
6	TERMINAL	1	BSP	t0.4	Ag-PLATED
5	SLEEVE	1	BSBM	$\phi 6$	Ni-PLATED
4	CASE	1	P. C.		
3	CONTACT C	1	Ycut-M-EH	t0.5	Ag-PLATED
2	CONTACT B	1	Ycut-M-EH	t0.5	Ag-PLATED
1	CONTACT A	1	PBS	t0.2	Ag-PLATED
LET	PART NAME	QTE	MATERIAL		REMARK

TITLE	
DRAWN No.	KLBR 4J

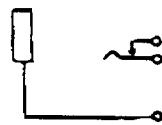


5	TERMINAL C	1	Y CUT MEH $0.18 \pm$	Sn - P
4	TERMINAL B	1	BSR 2 0.35t	Sn - P
3	TERMINAL A	1	BSR 2 0.3t	Sn - P
2	SLEEVE	1	BSBM 2	Ni - P
1	BODY	1	POLYCARBONATE	
LET	PART NAME	QTE	MATERIAL	REMARK

TITLE	MJ145
-------	-------



NOTE: CONTACT RESISTANCE - 20milliohm Max.
 INSULATION RESISTANCE - 100Megaohm min. @250V DC
 BREAKDOWN VOLTAGE - 500V AC for one minute.



CIRCUIT DIAGRAM

Temperature: -20°C + 135°C (no vapor)

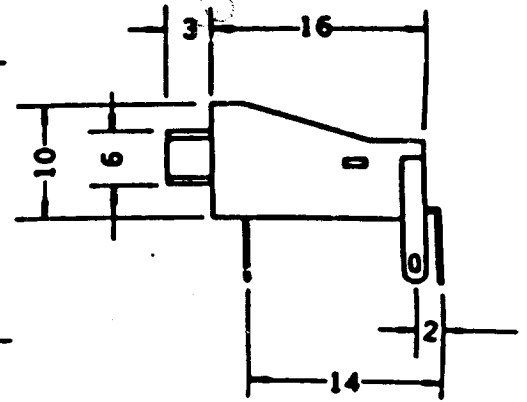
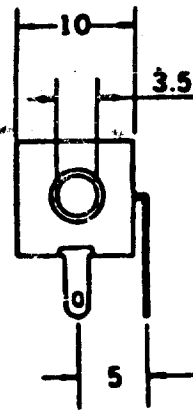
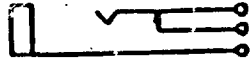
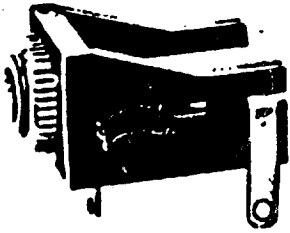
TOLERANCE ±0.3 mm

5	CONTACT B	1	Y-CUT MEH0.2	AG-P
4	TERMINAL B	1	BSR2 0.5	AG-P
3	TERMINAL A	1	BSR2 0.5	AG-P
2	CONTACT A	1	BSBM2	NI-P
1	BODY	1	POLYCARBONATE	
LET	PART NAME	QTE	MATERIAL	REMARK
DRAWN	<i>John...</i>	SCALE	4/1	TITLE
CKD	<i>John...</i>	3RD ANGLE PROJ		MJ148
APPR		DATE	58.10.22	DRAWN No.

No. MJ-148

BOX TYPE MINIATURE JACK FOR P.C.

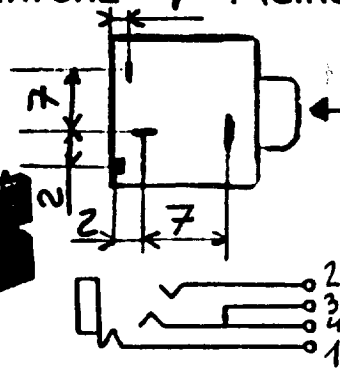
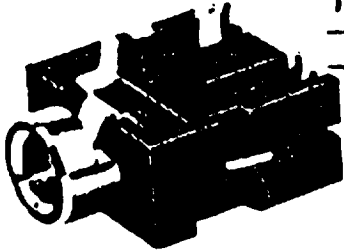
Net Weight: 2 gr.



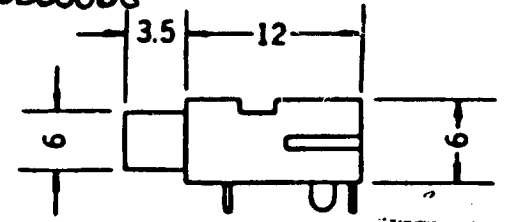
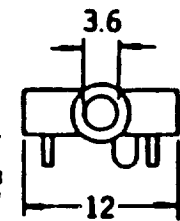
No. MJ-156L

3-CONDUCTOR MINIATURE 1 (SINGLE CLOSED)

Net Weight: 2.9 gr.



VUE DE DESSOUS



No. MJ-146

BOX TYPE SUB-MINIATURE JACK.

Net Weight: 2 gr.

