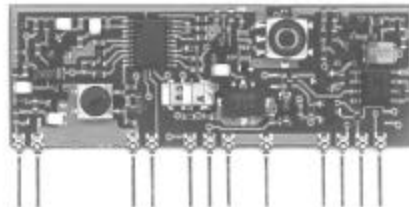


RECEIVER

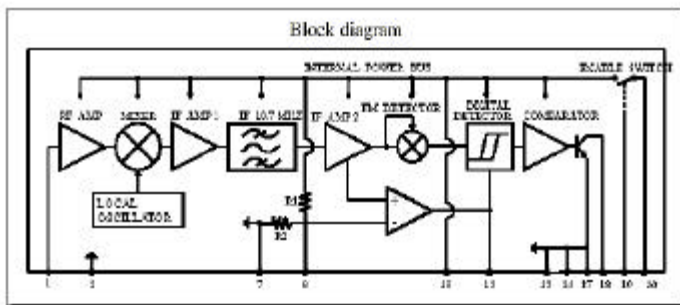
RX-DFM-3V3 Digital FM Superhet Receiver

RX-DFM-3V3 Frequency Modulation (2FSK) superhet receiver is suitable for use with its companion **TX-DFM-12V** transmitter module. Reception of raw RS232 digital data without the need for any data encoding or decoding is made possible, further simplifying the implementation of an RF link. There are no character or transmission time limitations which exist with other devices. Maximum baud rate of 19200 bit/s and fast start-up time (less than 1 ms).



Technical Specifications

- Superhet 2FSK Receiver with single IF conversion from SAW resonator
- Low output logic level (0V) with no modulation
- Start-up time less than 1 ms
- Receiver enable / disable (pin 19) via TTL or CMOS signal: RX Enable = +3 to 5 V
- 3.3V \pm 200 mV single supply with consumption lower than 15 mA (13 mA typical)
- High-reliability PCB SIL module
- Dimensions: 54.8 x 22 x 4.5 mm. Pin pitch 2.54 mm.
- Operating frequency : 433.65 MHz + 150 KHz
- RF Input impedance: 50 Ω
- RF sensitivity : -100 dBm
- Baud rate: 2400-19200 baud
- Digital FM detector driven via squelch circuit
- Open collector data output (pin 18) with 5 mA max current
- Squelch threshold externally adjustable from -50 dBm up to the receiver max sensitivity (-100 dBm)
- Auxiliary output (pin 10) turned On from RX Enable (pin 19): max. current 10mA



Pin Description

1	RF Input
2,7,12,14,17	Ground
8	Squelch Level
10	Auxiliary Output
11	Carrier Detect
18	Data Output
19	RX Enable (+3V to 5V)
20	+3.3V Supply